



Hose Bands & Connectors



Clamps & Rings

2



Swing Couplings SC

4



Pipe & Hose Connectors

6

Hose Bands & Connectors

6

Hose Bands & Connectors

7

Seals

8

Disc & Coil Springs

9

Circlips & Retaining Rings

10

Bonding & Lubricants

Clamps & Rings

Safe and secure – no matter where or what needs to be connected.

Whatever the media – clamps and rings will put it in its place! There is hardly any connection problem which cannot be solved. For hoses, pipes, cables and ropes, in all different materials and under the toughest conditions.

Clamps and rings offer safe and fast solutions in a wide variety of industries and prove their worth day in, day out in a mass production environment.



- For all connection problems
- Connect quickly and permanently – disconnect only as required
- For many industries and application areas
- Economic alternative to other connection techniques – proven billions of times worldwide
- Quality and reliability in accordance with ISO 9000 standard
- Development department for specially made products, manufacturing in Europe and North America

Stepless® Ear Clamps



- Sizes from 6.5 – 120.5 mm

6

Hose Bands & Connectors

7

Seals

8

Disc & Coil Springs

9

Circlips & Retaining Rings

10

Bonding & Lubricants

Hose Bands & Connectors

Stepless® Low Profile Clamps



- Sizes from 10.5 – 120.0 mm

1-Ear Clamps



- Sizes from 3.3 – 99.5 mm

1-Ear Clamps with Insert



- Sizes from 2.9 – 30.0 mm

2-Ear Clamps



- Sizes from 4.1 – 46.0 mm

Twin Clamps



- Sizes from 5.0 – 23.0 mm

Multi Crimp Rings



- Sizes from 5.0 – 120.0 mm

Stepless® Spring Clamps



- Sizes from 18.0 – 255.0 mm

Worm Drive Clamps



- Sizes from 8.0 – 160.0 mm

Universal Clamps



- Sizes \geq 35.0 mm

6
Hose
Bands &
Connectors

7
Seals

8
Disc & Coil
Springs

9
Circlips &
Retaining
Rings

10
Bonding &
Lubricants

Hose Bands & Connectors

Swing Couplings SC

Safely swing to connect.
With full flow. No force required or
loss of pressure in the system.

Just a turn and the air vent ensures that the hose is ventilated – thus rendering it harmless. Swing couplings SC are available in nominal sizes DN3 to DN19 and in different models.

They are compatible with most popular adaptor systems.

The many different types and models and a wide choice of seals and lubricants mean that couplings are suitable for numerous applications throughout industry. Durability, reliability, simple and safe handling are features of all swing couplings.



DN6

Series A1
Series B1
Series K
Series P



DN8

Series C
Series D
Series E
Series E1



DN11

Series G



6

Hose
Bands &
Connectors

7

Seals

8

Disc & Coil
Springs

9

Circlips &
Retaining
Rings

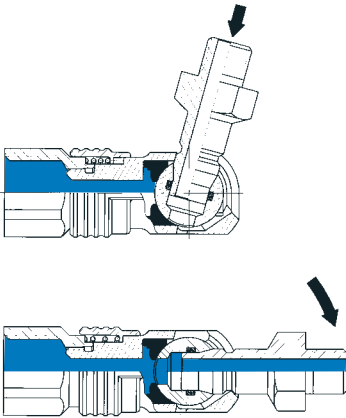
10

Bonding &
Lubricants

Hose Bands & Connectors

Connection

Push suitable adaptor into coupling and swing approximately 90° until the orange ring engages in the groove.

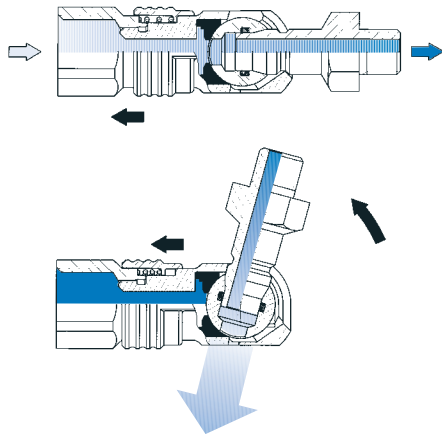


Full flow with no deflections.

- In accordance with safety standard ISO 4414, EN 983.
- Pressure always automatically off during the coupling process.
- Full flow, negligible loss of pressure.
- Simple operation, no force required.

Disconnection

Pull back orange ring and swing adaptor to stop. Remove adaptor from coupling.



In order to prevent the hose from ejecting dangerously, the adaptor must be held in the hand until the hose is completely ventilated.

- Compact design.
- NBR standard seal.
- Silicone free standard lubrication.
- SC DL series: lightweight (not suitable for heavy use).
- **CE**

Pipe & Hose Connectors

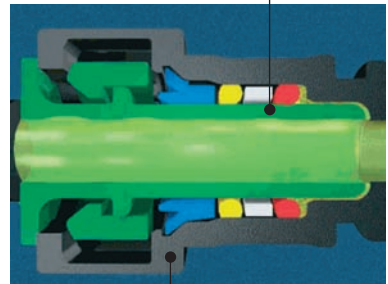
Fast, safe and reliable connections for fluid handling systems.

The quick connector concept originated from the need of the automotive industry for a fast, safe and reliable connection applied to fluid handling systems. It is a coupling (fitting) system made of a plastic component specifically designed to safely transport fluids between any type of pipe.

Advantages

Stricter environmental requirements and the necessity for cost reduction led to a new approach in vehicle conception. As an answer to these constraints, tier 1 suppliers now deliver fully equipped modules ready for quick assembly directly on the assembly line. Quick connectors are the answer.

- Good security, you can hear and feel connection made.
- A very good pull-out resistance.
- Good visible check, no gap = connection made, protection from dirt ingress and damage.



6

Hose Bands & Connectors

7

Seals

8

Disc & Coil Springs

9

Circlips & Retaining Rings

10

Bonding & Lubricants